

OL2 Series 2x2 Lensed Troffer

RECESSED MOUNT LIGHTING

300-480V

100-277V

**LM79
LM80**

IP64



PROJECT INFORMATION

Project Name _____

Catalog No. _____ Date _____

DESCRIPTION

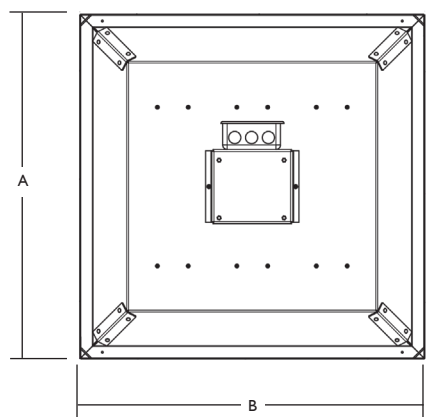
The ActiveLED® OL2 Series 2'x2' Recessed Troffer is designed to give a clean, even pattern of light in any indoor office or retail environment. Made of aircraft grade aluminum and the highest quality LEDs, this fixture is designed to last for more than a decade with no more changing of lamps or ballasts.

Applications include: Office, Retail, Gymnasium, and Warehouse Spaces.



OL2 2x2 Troffer

DIMENSIONS



A	B	C
23.87"	23.87"	4.94"
60.6 cm	60.6 cm	12.54 cm
Metric		
59.5 cm	59.5 cm	12.54 cm

FEATURES

- ActiveREST™ Dimming Technology - Fixture may be automatically dimmed when full light levels are not required. EXAMPLE - Dimming to level 40 equates to less than 9% of fixture watts being consumed.
- ThermalDRAW™ Cooling Technology - Patented cooling technology ensures LED components will equal or exceed warranty.
- LightSpace® Lighting Controls - Fixture is capable of being programmed and controlled either individually or as part of a lighting zone via remote sensors, switches or building management system (BMS).
- Battery Backup Enabled - This option provides 48V DC support for an Emergency Battery Backup Unit (BBU sold separately) creating an Emergency LED Light Fixture.
- Surge Protection - Fixture has built-in surge protection, or in the case where the driver is located remotely, the surge protector is sold with the remote surge protector.
- Warranty - 10 Year Warranty on LED elements, fixture housing, and LED Driver. Eligible for extended two year warranty. See page 2 for additional warranty information.



LIGHT OUTPUT

6,240 lm

WATTS

48 W

LUMENS per WATT

130 lm/W

LIGHT COLOR (CCT)

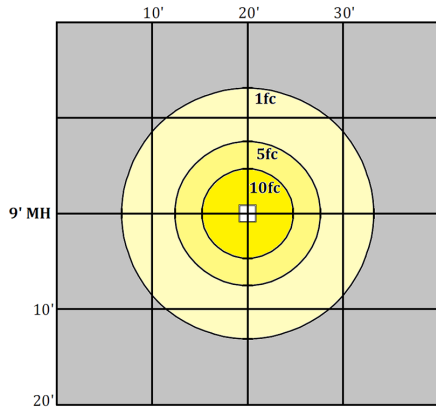
5000 K

NOTE: Lighting Facts shown for OL2, 48W only.
For more Lighting Facts, visit lightingfacts.com for the Label and Label Reference Guide.

ActiveLED®
Energy Efficient Lighting and Controls



PHOTOMETRICS



PERFORMANCE DATA

AMBIENT TEMPERATURES	0 HOURS	45,000 HOURS	90,000 HOURS
77°F (25°C)	1.00	0.99	0.99
104°F (40°C)	1.00	0.98	0.96
131°F (55°C)	1.00	0.96	0.92
140°F (60°C)	1.00	0.95	0.90

Projected Lumen Maintenance (TM-21)

NOTE: Calculated using data collected according to LM-80 lumen maintenance on the LED package.

NOTE: Photometrics shown for OL2 Series, 48W only. Contact company for photometrics on other sizes.

GENERAL SPECIFICATIONS

Input Voltage	Auto-sensing, 100-277 Volts AC, 50/60 Hz; Auto-sensing, 300-480 Volts AC, 50/60 Hz
Input Power	24, 36, 48 and 72 Watt
Power Factor	> 0.91 (at ~100-277 Volts)
THD	Total Harmonic Distortion (THD) <20% (typical 9.9%)
Driver	Integral driver with aluminum housing, integrated intelligent controls and integral heat sink
Dimming	0 - 10V or EDSaP digital
Operating Temperature	-58° F to 149° F (-50° C to 65° C)

Lumen Lifetime	L90/90K Hrs @ 60° C (90,000 Hrs with 90% Luminous Flux)
LED Optics	IP64 rated, heat sink, thermally bonded LEDs., and patented thermal management mounting system
CCT	2700K, 3000K, 3500K, 4000K, or 5000K
Housing	Fabricated aluminum .063 thickness for heat sinking parts, electroplated galvanized steel for the pan, stainless steel hardware
Finish	Powder coated after fabrication
Dimensions	23.87" Wide x 23.87" Long x 4.94" High (60.6cm x 60.6cm x 12.54cm) M 59.5 x 59.5 cm
Weight	11 pounds (5kg)

WARRANTY

Ten (10) Year Warranty - LEDs, Fixture, and Driver shall conform to its published specifications under normal usage and operating conditions including "no light loss" of more than 10% at the end of the period. LEDs will produce at least 90% of their initial light output with no color shift after 90,000 hours of operation. Extended 2 year warranty available when fixture is used in conjunction with an ActiveLED Surge Protection Device (SPD). See "Limited Warranty for Ringdale Industries and ActiveLED Lighting Products" for more information.

LISTINGS AND TESTS

cUL listed driver, CE, suitable for damp locations. RoHS compliant. IP64 Rated optical assembly. LM-79 and LM-80 info available. Conforms to FCC Part 15.19 Subpart B Class A. Made in USA - ARRA Compliant.

ORDERING INFORMATION

Example: OL2U-RT-A50R36VWH



Style	Voltage	Mount	Emergency	Diffuser	CCT	Watt	Color	Options
OL2 2'x2' Grid	U 100-277 VAC, 50/60 Hz, Digital Dimming Enabled	RT Recessed Mount, Grid	E Integrated Emergency Battery Backup Unit	A Polychromatic Diffuser	50 5,000K	R24 26W Max (3100 Lumen)	WH White (Default)	B Battery Backup Enabled
OL2M 60x60cm Grid	J 100-277 VAC, 50/60 Hz, Not Digitally Enabled	RTF Recessed Flange Mount		B Translucent Diffuser	40 4,000K	R36 38W Max (4600 Lumen)	BK Black	P Pigtail, 6' AC Whip
	6 300-480 VAC, 50/60 Hz., Auto Sensing	RTP Recessed Plenum Mount		H Damp/Splash Proof Diffuser	35 3,500K	R48 50W Max (6200 Lumen)	BR Brown	
	N None ¹			K Clear Acrylic Diffuser	30 3,000K	R72 74W Max (9300 Lumen)	CG Charcoal	
	E 45/48 VDC Driver ²				27 2,700K	R72 74W Max (9300 Lumen)	SL Silver	
						Lumen at 5,000K	X Custom	

¹ Requires remote driver. Consult factory.

² No AC Support.